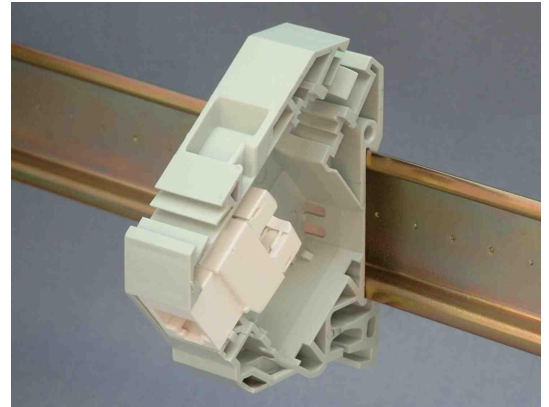


# Comm Center Connector - RJ45 - InfoCom

ABI-DC1001

## Applications:

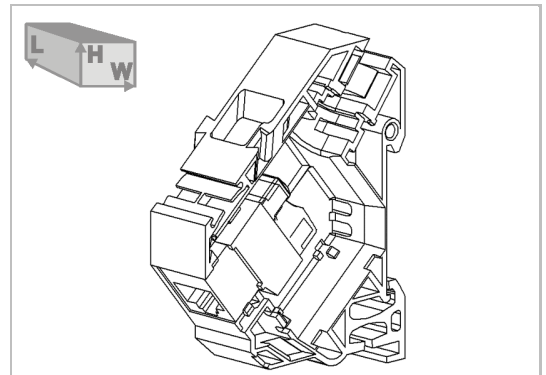
Terminates InfoCom room cables (Telephony & Data) in the Comm Center - Din Rail Mount



## Specifications:

LxWxH [mm]: Weight [Kg]:  
17,8 x 65 x 80      0,030

- Compliance
  - IEC 11801
  - ISO 15018
- Frequency Range : Up to 250 MHz



## Features:

- Keystone type connector for InfoCom IT and Telecommunication
- Suitable for all in-house data and telephone applications
- Perfect match with the abitana MonoMedia and CombiMedia InfoCom Cables
- Optimised performance when using abitana Comm Center InfoCom Patch Cords
- Installer-friendly component
- Din Rail Adaptor attaches with a simple click in the Comm Center

ABI-DC1001

**abitana**

[www.abitana.com](http://www.abitana.com)

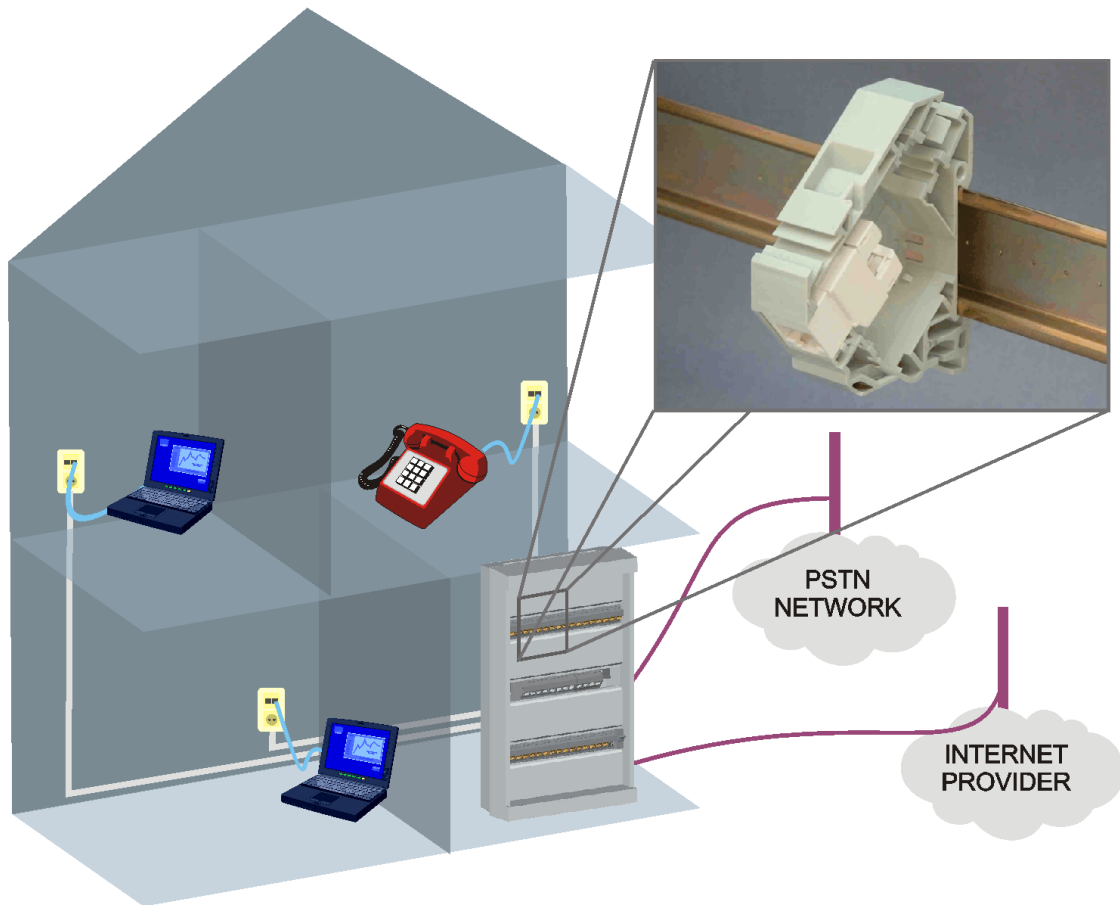
# Comm Center Connector - RJ45 - InfoCom

ABI-DC1001

## Typical Application:

C3 RJU

- Can be used with EL1001 (Ethernet Switch) EL1002 (Broadband Router) and ET1001 (Telephone Connection Module)



## Package:

Reference:	Quantity:	Weight [KG]:	LxWxH [mm]:
• ABI-DC1001S00	1		
• ABI-DC1001M00	12		

ABI-DC1001

abitana