

# Comm Center Connector - Dual Power Feedthrough

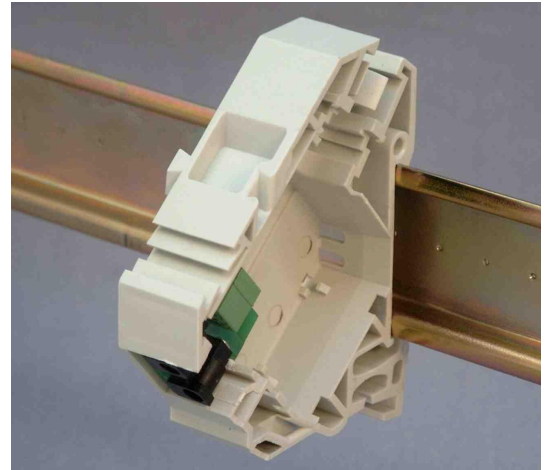
ABI-DC1005

## Applications:

Brings low-voltage from the inside of the Comm Center cabinet to the frontside (eg from EP-1001-03 power supply) - Din Rail Mount

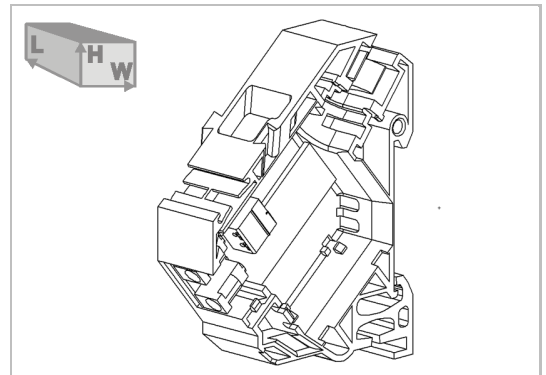
**ARCHIVED**

look for alternatives on  
[www.abitanadirect.com](http://www.abitanadirect.com)  
or contact [info@abitana.com](mailto:info@abitana.com)



## Specifications:

LxWxH [mm]: Weight [Kg]:  
17,8 x65 x80 0,026



- Maximum current : 4 A

## Features:

- Enables connection of modules with front power connector, without opening of the wiring cabinet
- Fused (4A)

ABI-DC1005

**abitana**

[www.abitana.com](http://www.abitana.com)

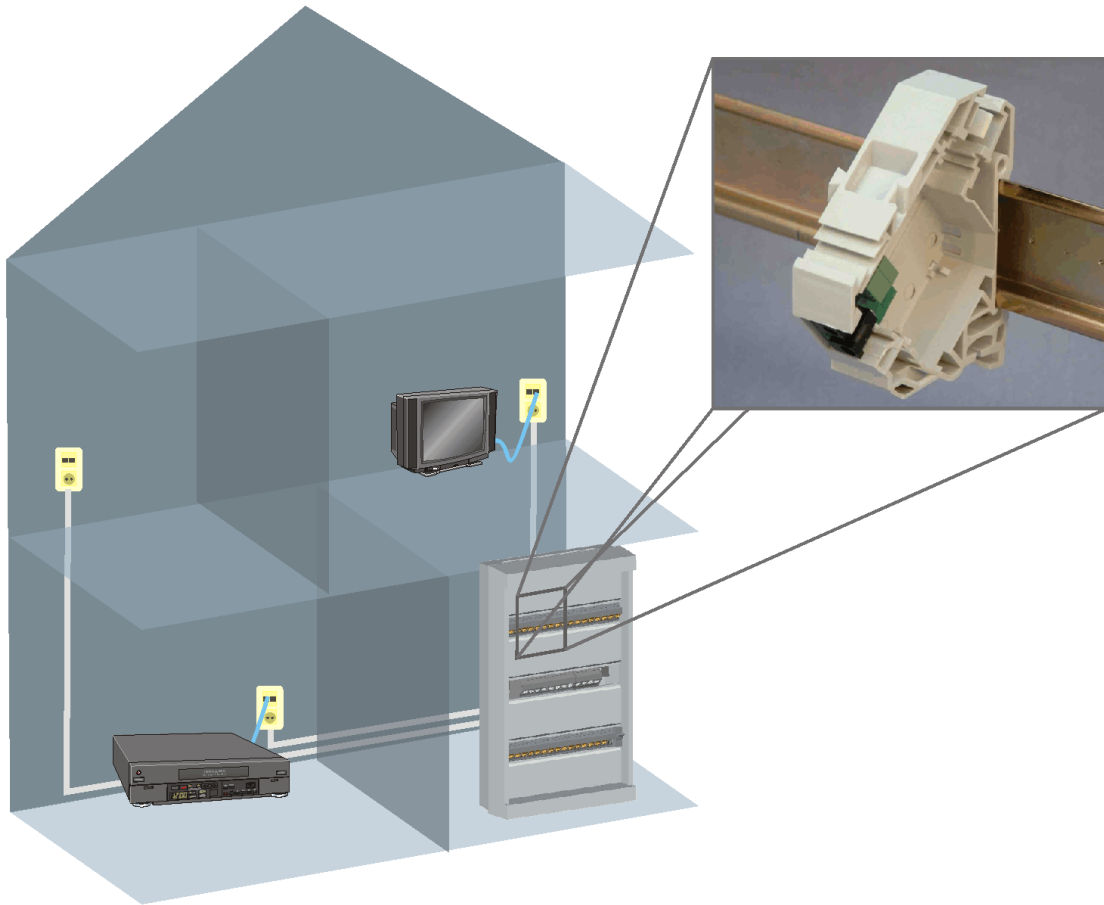
# Comm Center Connector - Dual Power Feedthrough

ABI-DC1005

## Typical Application:

C3 DPF

- Brings 2 Power Supply connectors to the front of the wiring cabinet



## Package:

Reference:	Quantity:	Weight [KG]:	LxWxH [mm]:
• ABI-DC1005S00	1		
• ABI-DC1005M00	12		

ABI-DC1005

abitana