

# Telephone Connection Module 4 lines

ABI-ET1001

## Applications:

Distributes 4 incoming telephone or ISDN lines to 4 or more home network lines

**ARCHIVED**

look for alternatives on  
[www.abitanadirect.com](http://www.abitanadirect.com)  
or contact [info@abitana.com](mailto:info@abitana.com)



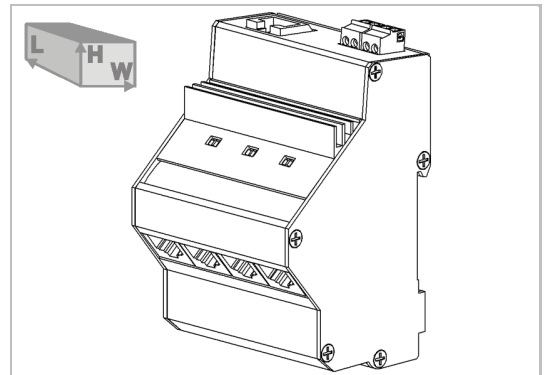
## Specifications:

LxWxH [mm]: Weight [Kg]:

71,2 x 65 x 110

0,180

- ISDN / PSTN



## Features:

- Connects 2 analog (PSTN) and/or one ISDN line to up-to 4 telecom devices (Phone / FAX / Modem)
- Easy installation and configuration

ABI-ET1001

**abitana**

[www.abitana.com](http://www.abitana.com)

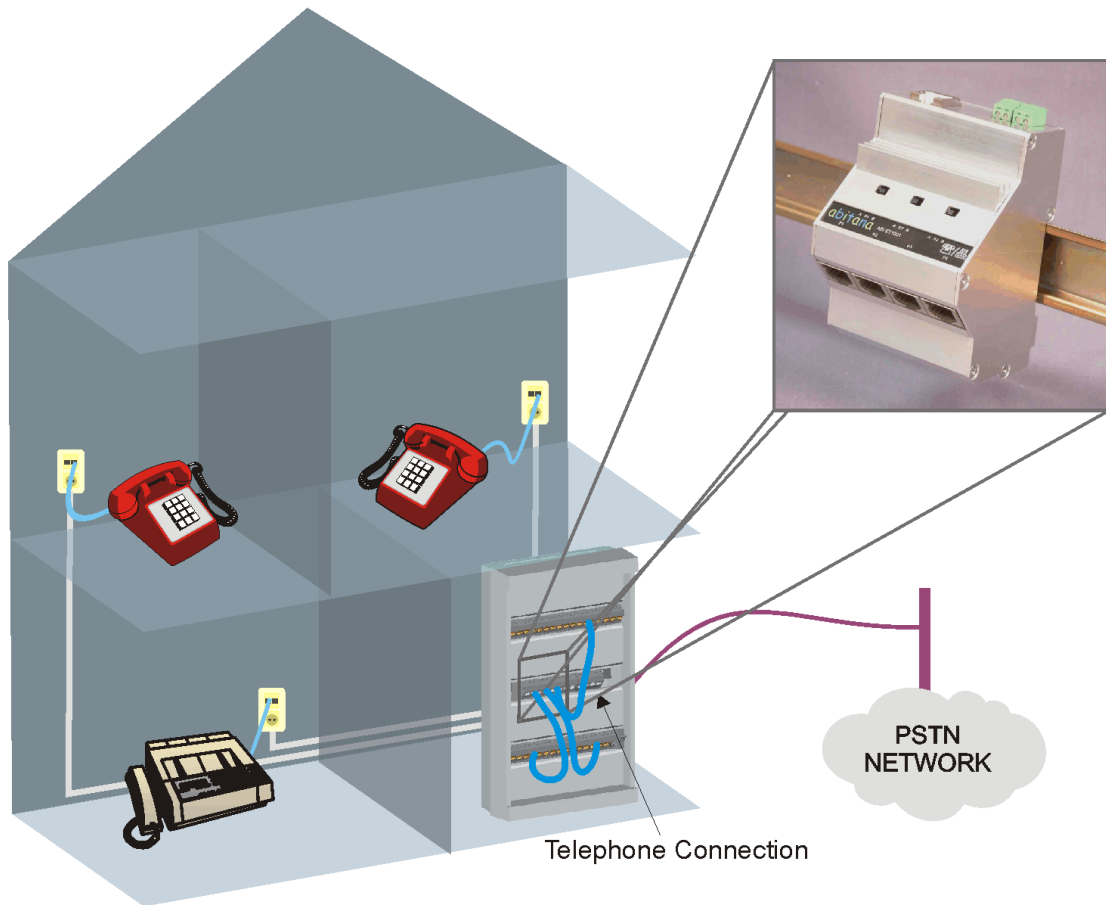
# Telephone Connection Module 4 lines

ABI-ET1001

## Typical Application:

TC4

- Use ABI-PC1005 Patch Cord for Priority FAX/Modem connection



## Package:

Reference:	Quantity:	Weight [KG]:	LxWxH [mm]:
• ABI-ET1001S00	1		
• ABI-ET1001L00	25		

ABI-ET1001

abitana