

Modem-phone-fax splitter module with ADSL filter DIN-rail mountable



ABI-ET2003S00

- ✓ Remove ADSL noise from phone signal
- ✓ Feedthrough port for ADSL modem
- ✓ Fax/Phone port on 1 UTP/FTP/STP cable
- ✓ Passive splitter
- ✓ Plug and Play installation: operational in a couple of minutes



The ABI-ET2003S00 is a passive splitter module for the distribution of analogue (PSTN) phone and ADSL signals. An external ADSL filter is no longer needed thanks to the built-in filter. This simplifies the installation and commissioning of phone, fax and ADSL modem-router. The ABI-ET2003S00 does not provide the call-confidentiality function.

CHARACTERISTICS

Line in:

- PSTN (and ADSL) signal on RJ45 or RJ11 (2x)

Line out:

- 3x filtered PSTN on RJ45 ports P1, P2, P3
- 1x unfiltered PSTN+ADSL on RJ45 port P4
- Dual mode phone service (phone only on P1, P2 and P3 or phone on P2 and P3 after a priority fax on P1)

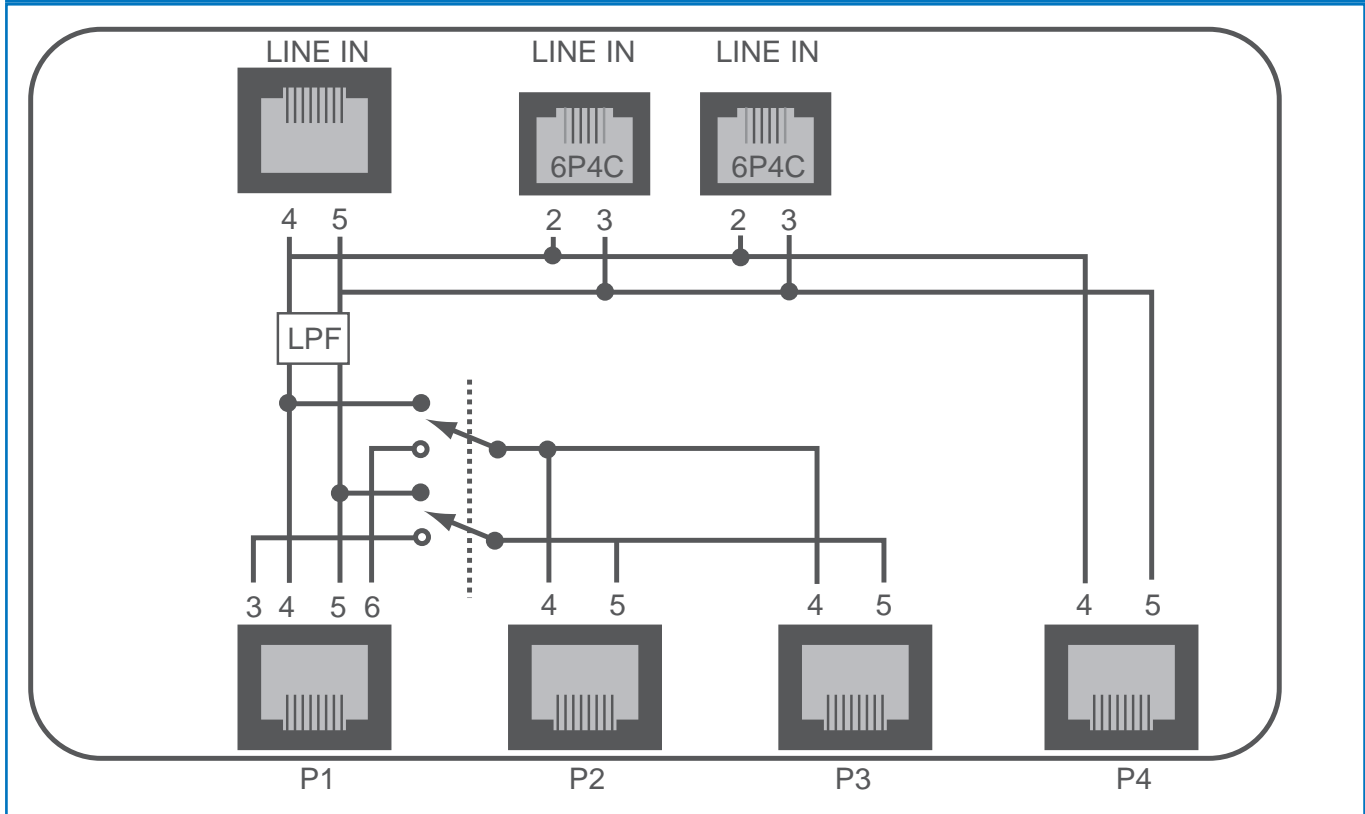
Complies with:

- ISO/IEC 60603-7, connector
- ISO/IEC 11801, structured cabling
- EN 50173, structured cabling
- ISO/IEC 15018, residential cabling

Dimensions:

- WxHxD (mm): 71,2x80x65 (4 standard positions wide)
- Net weight: 210g

BLOCK DIAGRAM



© abitana 05/2014 - ABI-ET2003S00_datasheet_EN

Specifications are subject to change without notice.