

Cable Sharing 4-to-1 RJ45 splitter/combiner DIN-rail mountable



ABI-ET2004S00

- ✓ 4 phone lines over 1 UTP/FTP/STP cable
- ✓ Works for POTS/ADSL/VDSL/Vectoring
- ✓ Passive splitter/combiner
- ✓ Plug and Play installation: operational in a couple of minutes
- ✓ Combine 4 sensors/contacts onto 1 cable



This module allows the transmission of 4 individual analog or digital 2-wire phone signals over a 4-pair twisted pair cable. The 4 pairs present on an RJ45 connector (top) are split and each one sent to an RJ45 on the module's front.

The module can be used in both directions, to either split or combine signals onto a single cable. Can also be used to combine 4 sensor or contact statuses on 1 cable.

CHARACTERISTICS

Line in:

- Line in: PSTN and/or ADSL/VDSL on RJ45 jack (L1)

Line out on 4xRJ45 jack:

- P1 (4-5) = L1 (4-5)
- P2 (4-5) = L1 (6-3)
- P3(4-5) = L1 (2-1)
- P4(4-5) = L1 (8-7)

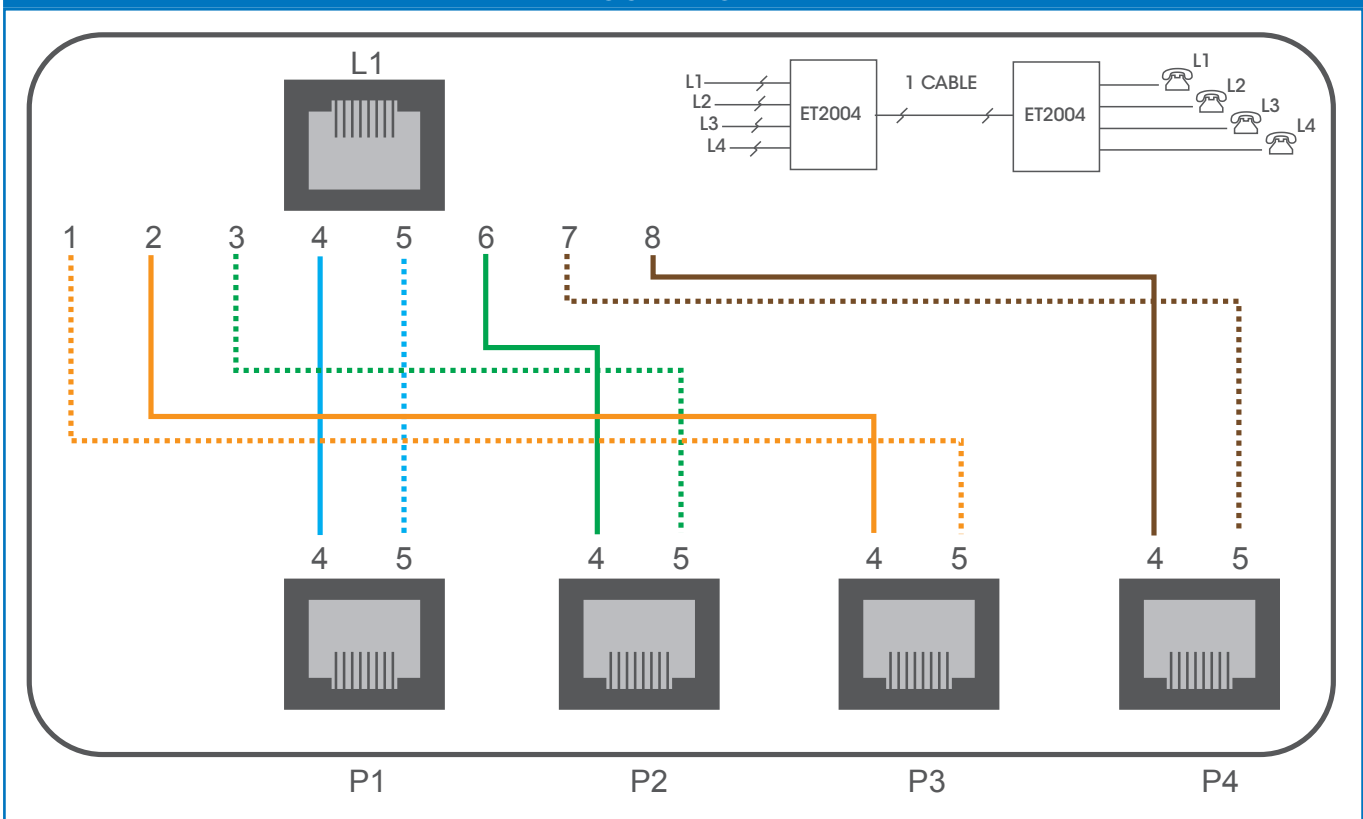
Complies with:

- ISO/IEC 60603-7, connector
- ISO/IEC 11801, structured cabling
- EN 50173, structured cabling
- ISO/IEC 15018, residential cabling

Dimensions:

- WxHxD (mm): 71,2x80x65 (4 standard positions wide)
- Net weight: 210g

BLOCK DIAGRAM



© abitana 10/2015 - ABI-ET2004S00_datasheet_EN

Specifications are subject to change without notice.