

Telephony module - PSTN / PABX / VoIP splitter/combiner  
 DIN-rail mountable  
 ABI-ET2005S00



- Passive splitter/combiner
- Cable sharing for analog, digital and VOIP phone signals
- Plug and Play installation: operational in a couple of minutes

**ARCHIVED**

look for alternatives on  
[www.abitanadirect.com](http://www.abitanadirect.com)  
 or contact [info@abitana.com](mailto:info@abitana.com)



71,2 - 4 DIN pos.

This module allows the transmission of 2 analog or digital 2-wire phone signals and a (Ethernet-based) digital VoIP 4-wire digital phone signal over a single 4-pair twisted pair cable. The 3 signals, presented on an RJ45 connector (top) are sent to an 3 separate RJ45s on the module's front. The module can be used in both directions, to either split or combine signals onto a single cable.

**CHARACTERISTICS**

**Line in:**

- 2x PSTN (and/or ADSL/VDSL) + 1x VoIP (10/100bT) on RJ45 jack (L1)

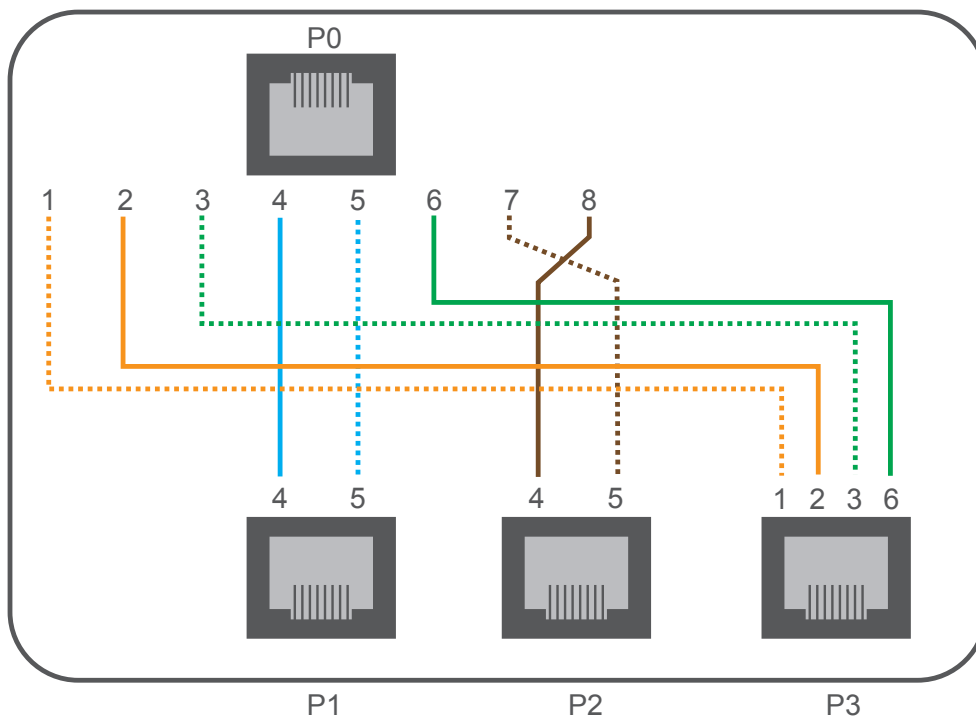
**Complies with:**

- ISO/IEC 60603-7, connector
- ISO/IEC 11801, structured cabling
- EN 50173, structured cabling
- ISO/IEC 15018, residential cabling

**Line out on 3xRJ45 jack:**

- P1 (4-5) = L1 (4-5)
- P2(4-5) = L1(8-7)
- P3 (1-2-3-6) = L1 (1-2-3-6)

**BLOCK DIAGRAM**



Specifications are subject to change without notice.