

ABI-EV1012S00

Broadband Balanced Distribution Amplifier + IRDA

1) Description

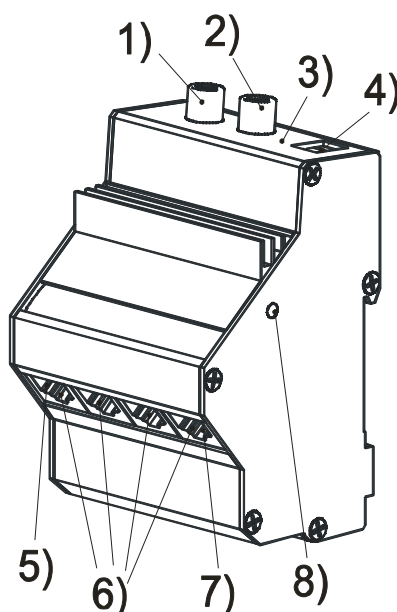
Indoor Community Antenna- and Terrestrial TV amplifier for Home & Small Office Networks based on Shielded Twisted Pair. DIN-Rail 35 mm compatible aluminium housing with 4 balanced output ports in RJ45 format. Provided with infrared functionality.

2) Item Reference numbers

- ABI-EV1012S00

Distribution amplifier with infrared

3) General View



ARCHIVED

look for alternatives on
www.abitanadirect.com
or contact info@abitana.com

4) Picture



abitana

www.abitana.com

ABI-EV1012S00

Broadband Balanced Distribution Amplifier + IRDA

- 5) Features: (Numbers refer to general view)
- 1) F-type (IEC61169-24) single ended (Coax) input
 - 2) Input for RF signal from modulator ABI-EV1017
 - 3) Fully Shielded aluminium housing DIN-Rail (EN50022) compatible with fan-less cooling design.
 - 4) Low Power consuming design
 - 5) Power (5V) LED
 - 6) 4 Balanced outputs shielded RJ45 type (IEC60603-7) with
 - RF balanced on Pins 7&8
 - DC +5V on Pin 1 and GND on Pin 4
 - Infrared (5V pulsed) on Pin 5
 - 7) Input level detection LED and adjustable gain
 - 8) Infrared Emitter LED at both sides
 - 9) Balanced Community Antenna- and Terrestrial TV distribution over 35m of Shielded Twisted pair Network up to 862MHz.
 - 10) Uses Comm. Center 5VDC power supply
 - 11) Supplied with 3 ABI-AP1003S00 100 Ohm terminators

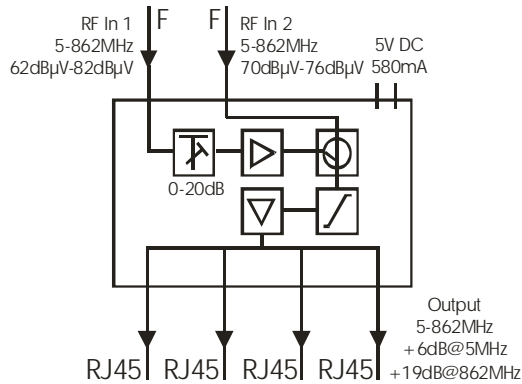
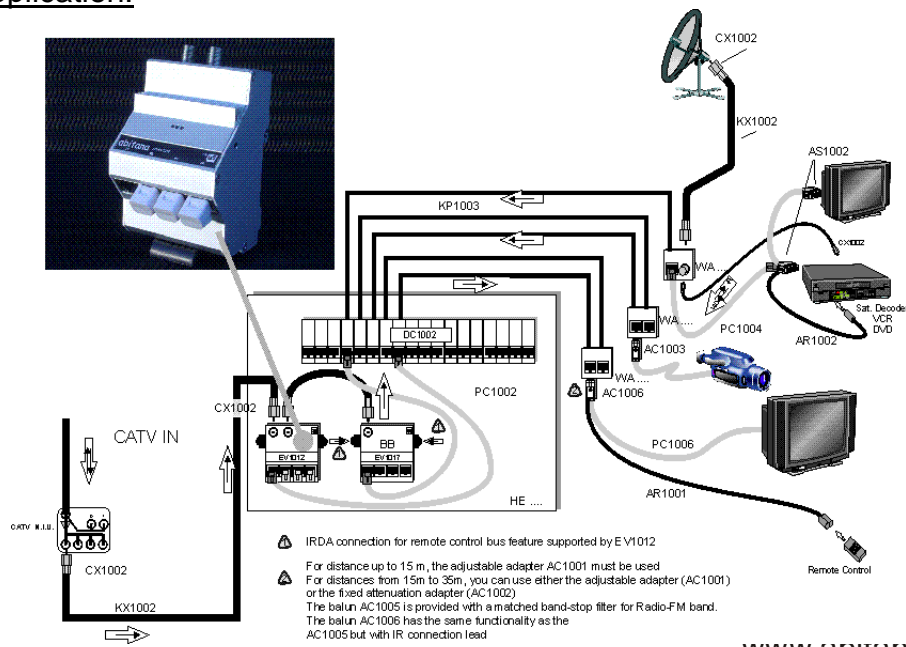


Figure 1: Block Scheme

6) Typical Application:



www.abitana.com

ABI-EV1012S00

Broadband Balanced Distribution Amplifier + IRDA

7) Technical characteristics

a. Mechanical

Dimensions: Height: 110mm Width: 71.2mm Depth: 65mm

Weight: 190g

Connectors:

- Input: F-Type IEC61169-24
- Output: RJ45 Shielded jacks IEC60603-7
- Power: Phoenix Contact SMC 3.81

b. Electrical

- Power supply Voltage: 5V DC
- Power Consumption: 2.9 W
- Ambient Operating Temperature: 0°C->40°C

c. Transmission

- Gain of the output ports (See Figure 2)
- Return Loss of the input ports (See Figure 2)
- Gain after 35m ABI-KP1003S00 (See Figure 2)

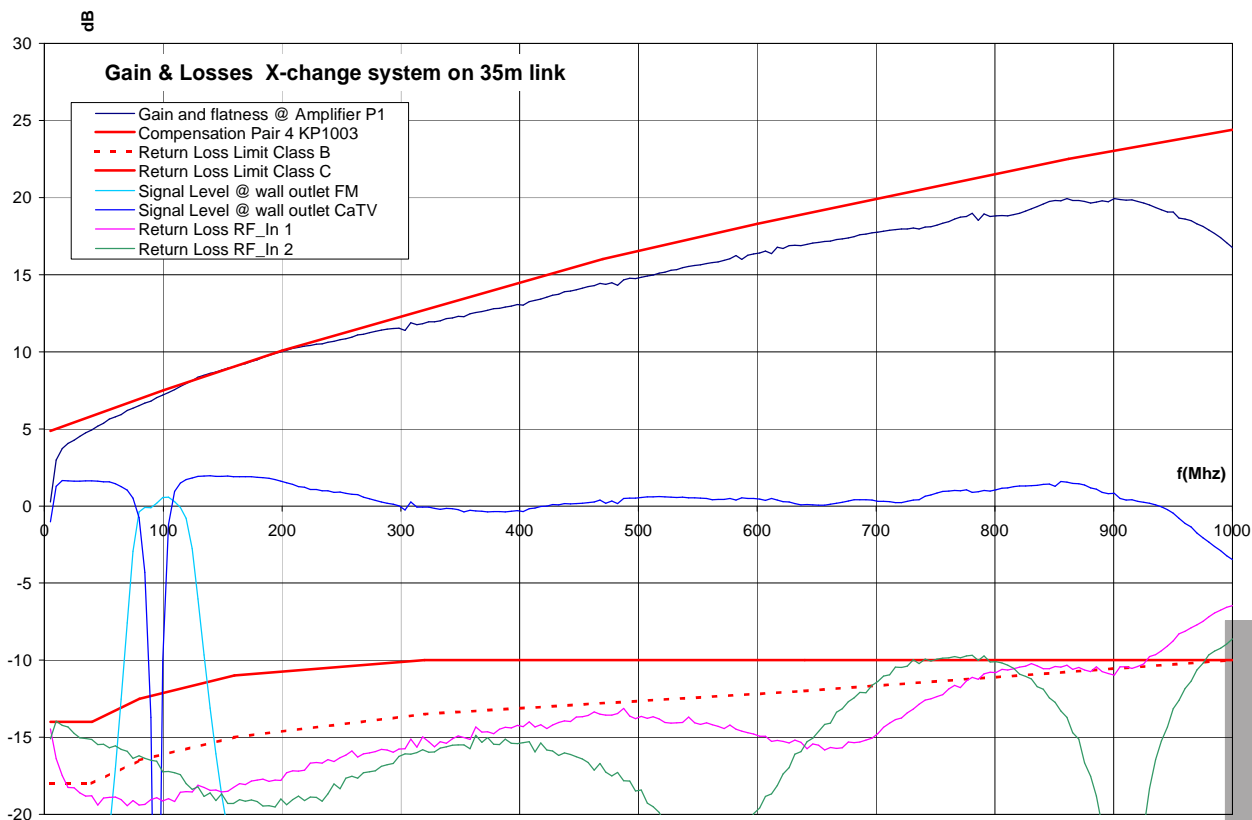


Figure 2: Gain of the 4 Ports, Return Loss of the input port, Gain after 35m

abitana

www.abitana.com

ABI-EV1012S00

Broadband Balanced Distribution Amplifier + IRDA

- Noise figure: 4.3dB
- 2nd Order distortion products
Measured with 2 carrier method after EN50083-3: *86.3dB μ V @ 60dB signal to distortion ratio*
- 3rd Order distortion products
Measured with 3 carrier method after EN50083-3: *99dB μ V @ 60dB signal to distortion ratio*
- CSO and CTB tested on a Cenelec 42 Raster (See Figure 3)
(Results presented are the differences between the wanted and the unwanted (intermodulation components) signals expressed in dB.
The red Line is the 60dB level difference limit)

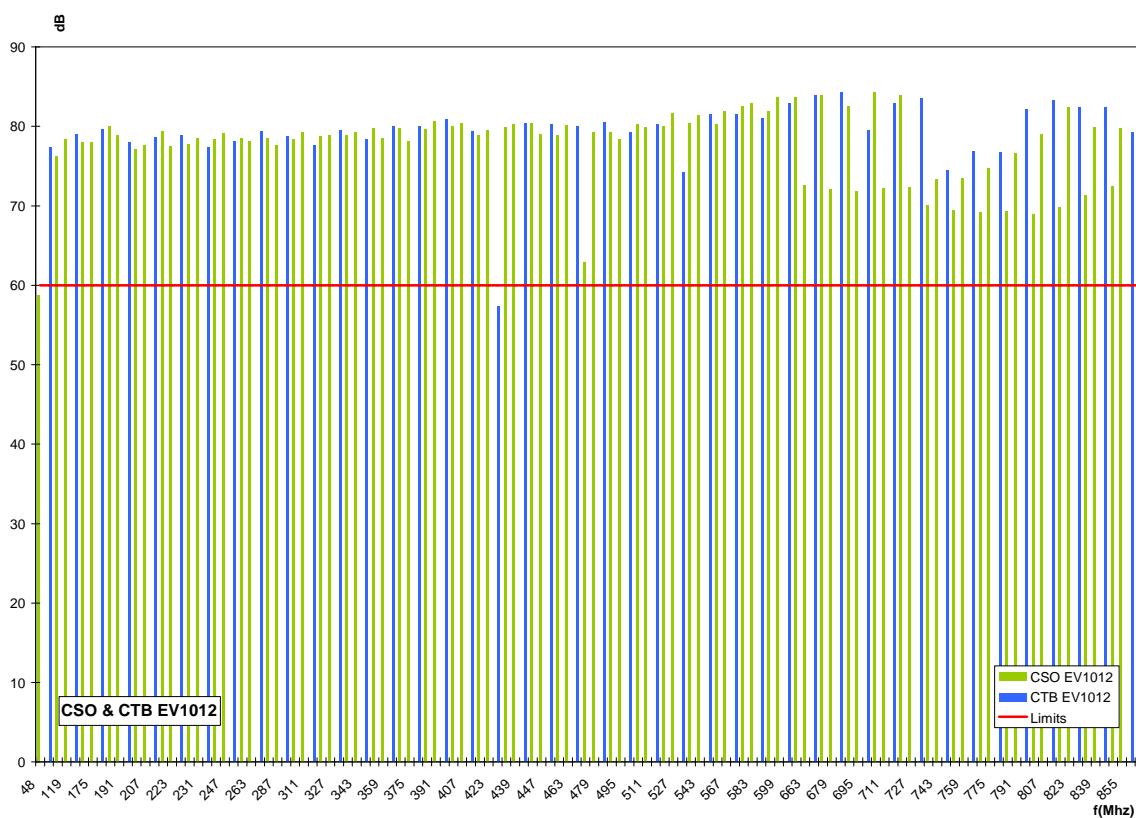


Figure 3: CTB and CSO

- Outlet Isolation: min: 20dB

8) Package-Labeling

T.B.D.

abitana

www.abitana.com