

Home TV Gateway - RF Broadband and IP Streaming - 4+2+1 port Master - DIN-rail mountable

abitana

ABI-EV2012S00

Universal RF broadband & IP streaming Home TV gateway

DVB-C, DVB-T, DVB-S and Internet/LAN feeder networks

4x RJ45 Twisted Pair Home links

Scalable to 8x or 12x RJ45 Twisted Pair Home links

1x SAT/TV/FM Coax Home link

RF In-band, Ethernet or Phone iDTV return paths

TV/FM/Data/Phone service from 1 RJ45 link

Broadband TV combined with Streaming TV

ARCHIVED

look for alternatives on
www.abitanadirect.com
or contact info@abitana.com



This wideband coax and twisted pair amplifier is the entry-point for the home of

- aerial-based television channels (FM, DVB-T, Satellite dish)
- a combination of broadband coaxial network CaTV signals and Satellite dish
- a combination of one of the previous options with 10/100bT-based internet browsing or streaming TV.

Input ports:

The amplifier's main input accepts broadband FM and TV signals in the range between 88 and 862MHz and TV signals from a Satellite dish in the range between 950MHz and 2150MHz. The input also carries return path signals (in a band between 5MHz and 65MHz) for use on Docsys compliant CableTV networks as well as the DiSEqC signals from RF OUT 1.

Output ports:

The combination FM/VHF/UHF is offered on four twisted pair RJ45 connectors that can be connected via OmniMedia cable to RJ45 wall outlets. These ports carry back In-band RF, Ethernet or Phone line type return path signals for interactive digital TV services. The combination FM/VHF/UHF/SAT-IF is offered on a standard level output coax connector that can be connected to a link with a standard triple FM/TV/Sat wall outlet, for instance located in the main viewing room. To extend the unit, two piggyback coaxial output ports supply high-level broadband signals to feed slave twisted pair output modules, thus increasing the scope of the base amplifier module from 4 ports to a total of 8 or 12 ports.

This unit requires 5VDC from a power supply ABI-PS1001S14.

CHARACTERISTICS

Input ports:

- 1x CaTV/SAT in - F-type female (IEC16-24)
- 1xPower Supply - Phoenix

Output ports:

- 4xCaTV with return path - RJ45 jack (IEC60603-7)
- 1xCaTV/SAT - F-type female (IEC16-24)
- 2x CaTV with return path - type female (IEC16-24)

Power supply

- 5VDC - 4W approx.

Impedance

- 75Ohm unbalanced on F-type coax
- 100Ohm balanced on RJ45

Complies with:

- Safety: EN60065
- EMI: EN50081-1 & EN50082-1
- Immunity test voltage contact discharge 4kV, air discharge 8kV
- RoHS compliance: 2002/95/EC
- WEEE compliance: 2002/96/EC

Environmental specifications:

- Size: Alu housing, 9 DIN positions wide
WxHxD (mm): 157x80x65
- Net weight: 420g
- Operating tem: - 5...+45°C
- Storage temp: -15...+60°C

RF Specifications (downstream):

- Freq range CaTV: 85-862MHz
- RF IN: 62...75dB μ V
- TV1-TV4 OUT: 84+-1dB μ V@862MHz
- RF OUT1: 87+-1dB μ V@862MHz
- RF OUT2: 90+-1dB μ V@862MHz
- RF OUT3: 84+-1dB μ V@862MHz
- RF flatness: 1.0dB
- Noise figure: <=7dB (@ IN= 62,5dB μ V)
- Slope 85-862MHz: 12dB

RF Specifications (upstream return path):

- Freq. range: 5-65MHz
- Attenuation: 3dB

RF specifications (SAT IF) RF IN/RF OUT:

- Freq range 950-2150MHz
- Attenuation 3dB approx.

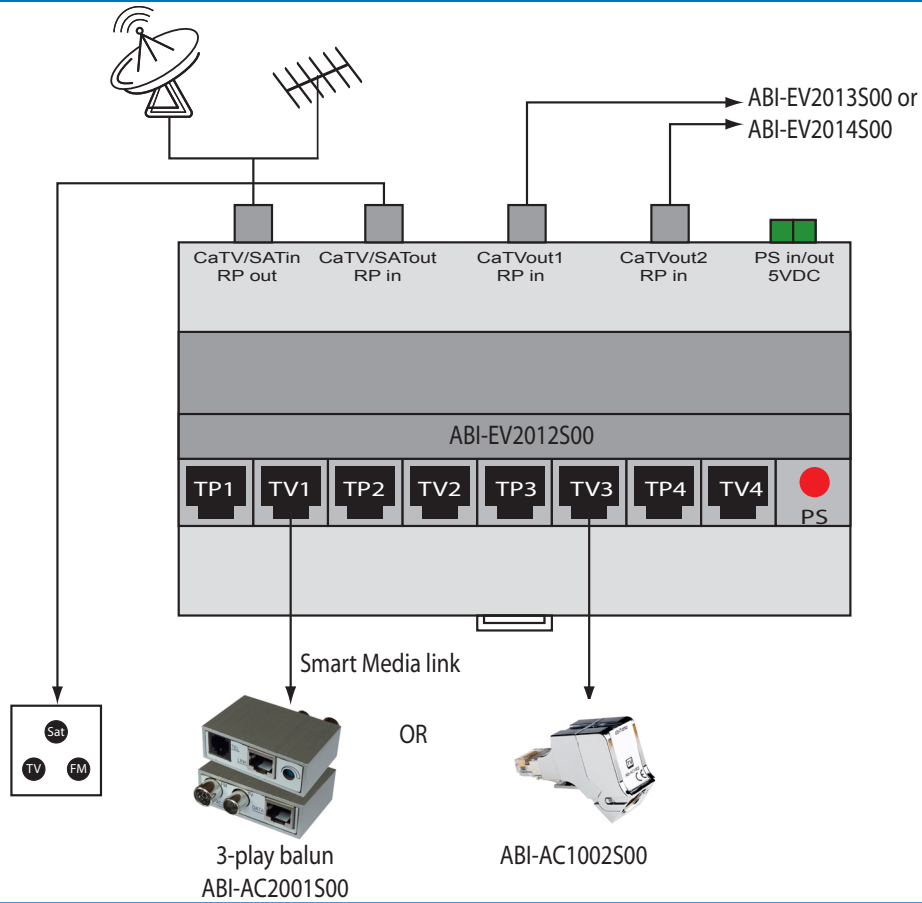
RF specifications (general):

- CSO/CTB:> 60 / 60dBc (42ch, Vout=82dB μ V@862MHz)
- Return loss, on RF ports:> EN50083-3 cat C 14dB (>80MHz/
-1,5dB/oct, min. 10dB)

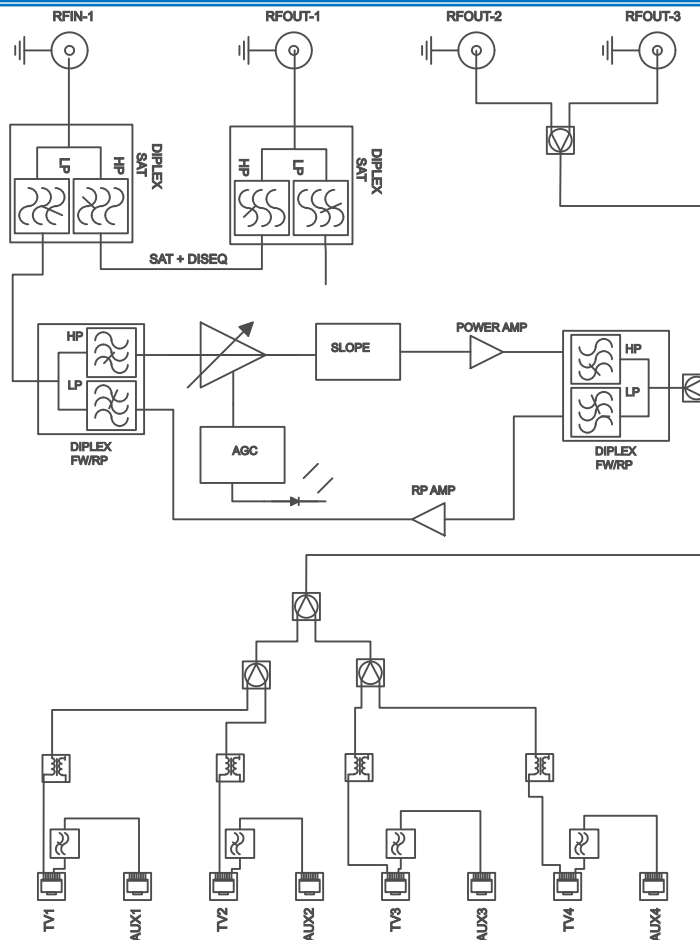
Specifications are subject to change without notice.

www.abitana.com

APPLICATION DIAGRAM



BLOCK DIAGRAM



Specifications are subject to change without notice.