

Home TV Gateway - RF Broadband and IP Streaming – 4 port Slave module - DIN-rail mountable

abitana

ABI-EV2013S00

Slave 4 port extension unit to ABI-EV2012S00

Universal RF broadband & IP streaming Home TV Gateway extension

DVB-C, DVB-T and Internet/LAN feeder networks

4x RJ45 Twisted Pair Home links

Ethernet or Phone iDTV return paths

TV/FM/Data/Phone service from 1 RJ45 link

Lower overall price per port in larger properties

Broadband TV combined with Streaming TV



This unit is a slave extension unit that increases the number of RJ45 TV Home links of an ABI-EV2012S00 Home TV gateway master unit.

Input port:

The slave unit's main input accepts broadband FM and TV signals in the range between 88 and 862MHz coming from one of the master unit's coaxial extension ports.

Output ports:

The combination FM/VHF/UHF is offered on four twisted pair RJ45 connectors that can be connected via OmniMedia cable to RJ45 wall outlets. These ports carry back Ethernet or Phone line type return path signals for interactive digital TV services. A significant reduction in price per port is achieved in larger projects by using one or two of these slave units to extend the number of ports of a Master Home TV gateway

CHARACTERISTICS

- 1 F coax input (IEC61169-24) for aerial/cable/sat
- 4 RJ45 shielded TV ports (IEC60603-7)
- 4 RJ45 auxiliary Ethernet+phone ports
- Indirect interactive return path (10/100bT)
- Max. Link length: 35m OmniMedia cable
- 9 DIN positions wide

Complies with:

- Safety: EN60065
- EMI: EN50081-1 & EN50082-1
- Immunity test voltage contact discharge 4kV, air discharge 8kV
- RoHS compliance: 2002/95/EC
- WEEE compliance: 2002/96/EC

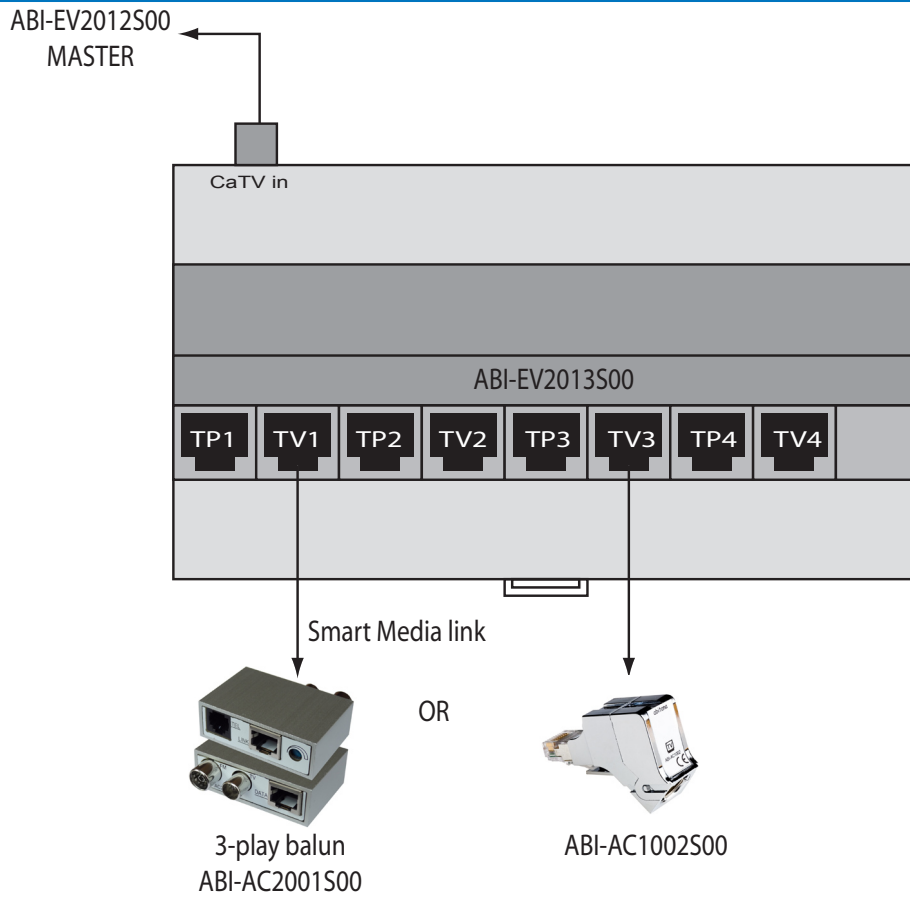
ARCHIVED

look for alternatives on
www.abitanadirect.com
or contact info@abitana.com

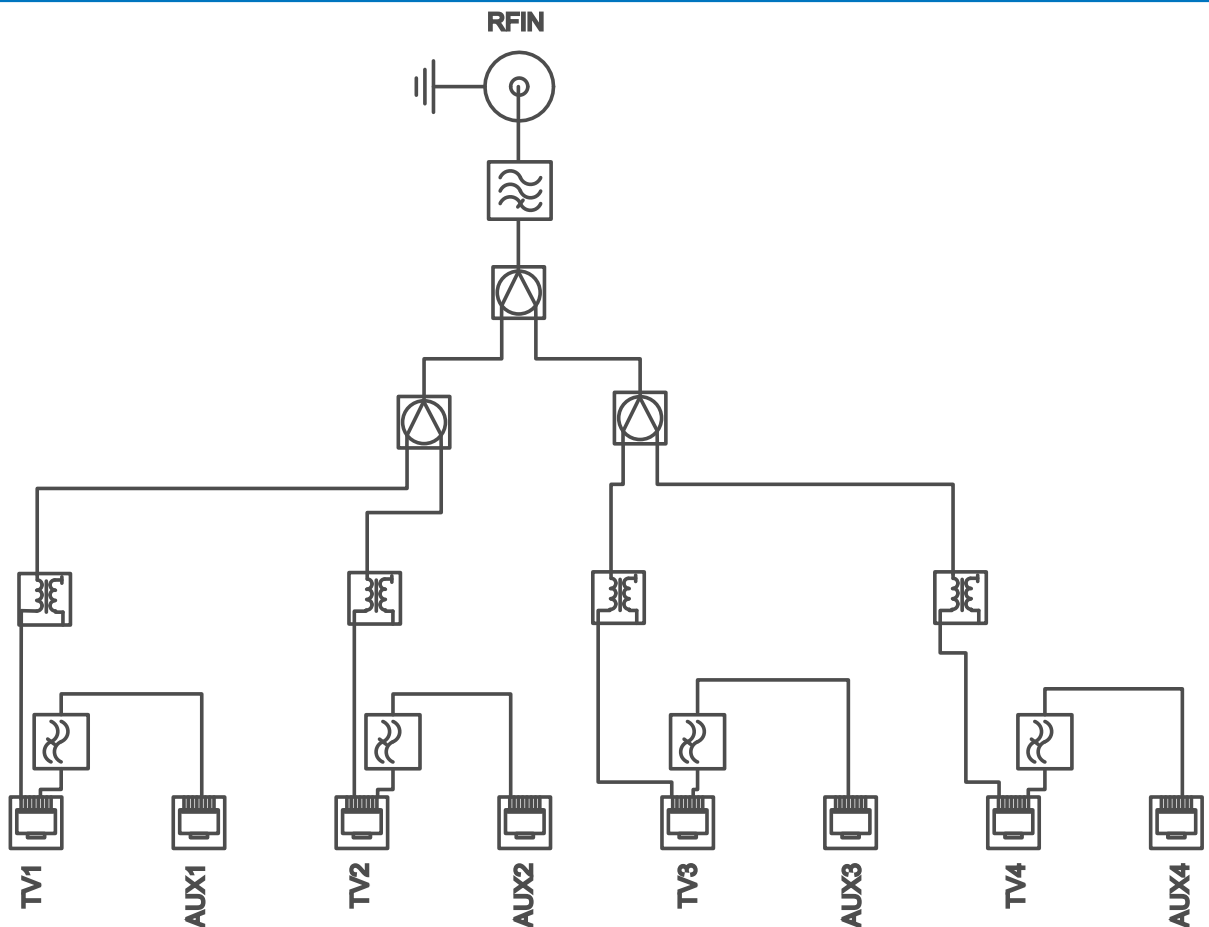
Specifications are subject to change without notice.

www.abitana.com

APPLICATION DIAGRAM



BLOCK DIAGRAM



Specifications are subject to change without notice.