

Smart Music 5 zone Multiroom Multisource module - DIN-rail mountable



ABI-MM1002S05

Smart Music component

All inputs & outputs lin level stereo

5 Amplifier ports on RJ45 jack

5 RCM ports on 3,5mm stereo jack

5 central stereo inpunt on 3,5mm stereo jack

1 central stereo master input on 3,5mm jack

No extra power supply required

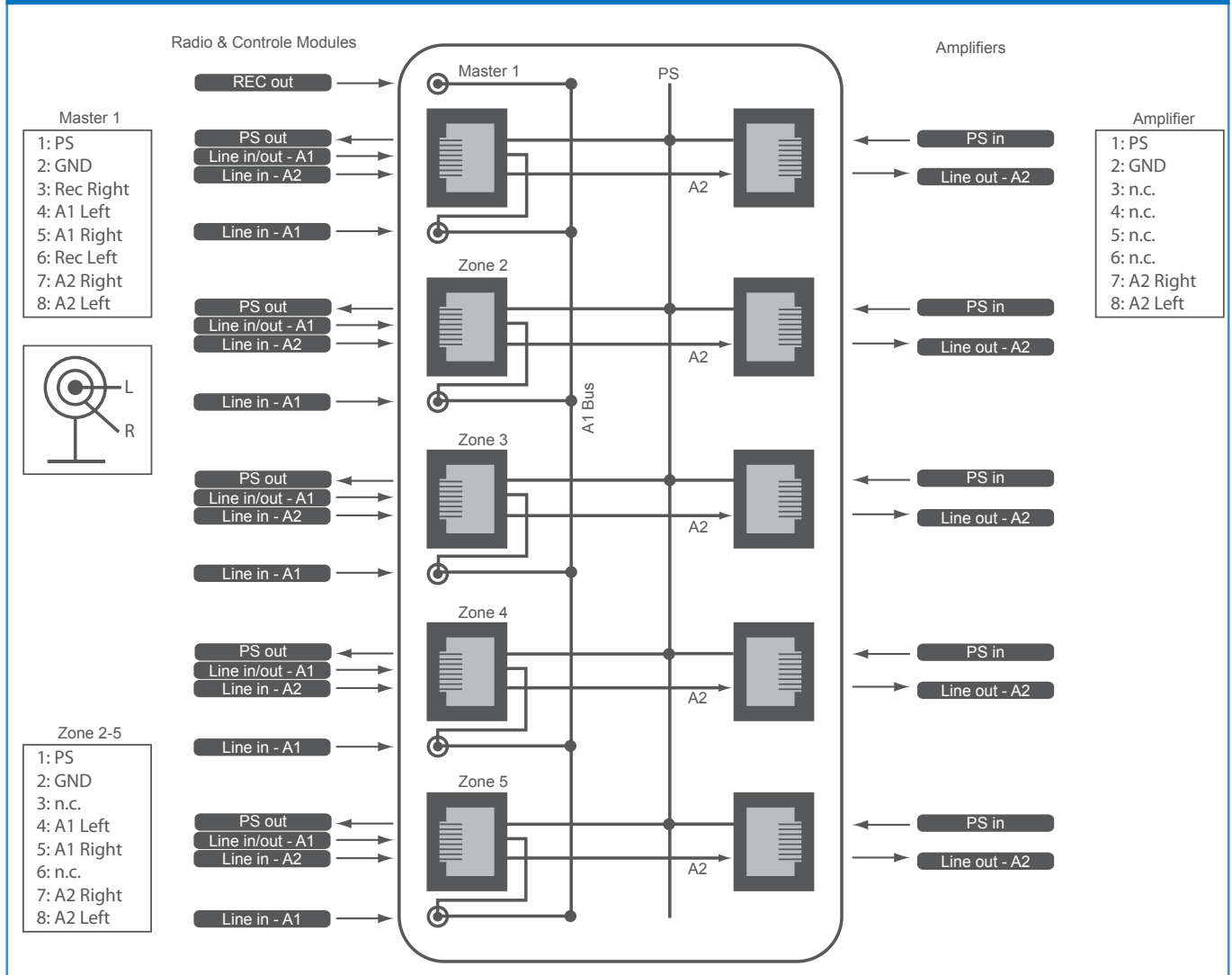
ARCHIVED

look for alternatives on
www.abitanadirect.com
or contact info@abitana.com



The Multiroom Multisource Module allows you to create a simple multiroom audio system by interconnecting the Radio & Control Modules from different rooms. Each RCM can listen to either its built-in FM tuner, to a local music source (input1) or to music coming from the Multiroom Multisource Module (input2). One of the five zones can be designated master zone. For each zone an individual central music source can be plugged in and override the function of the master zone. Connections to the RCM's and to the amplifiers are through RJ45 ports, greatly simplifying the installation work.

BLOCK DIAGRAM



Specifications are subject to change without notice.