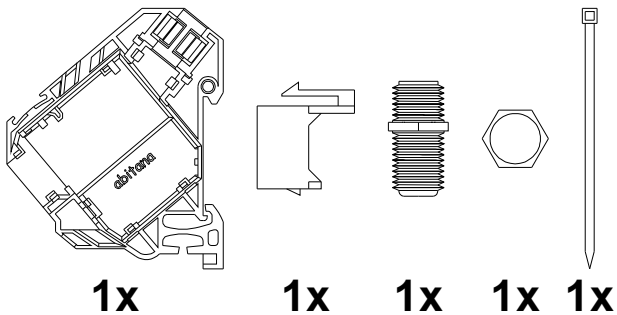


ABI-DC1003S00

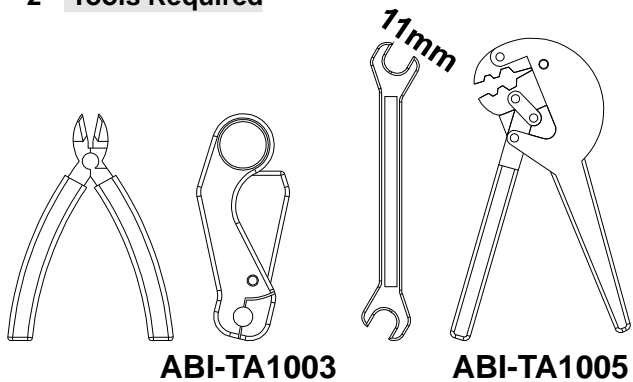
Comm Center Connector
F-female Broadband

Quick Installation Guide

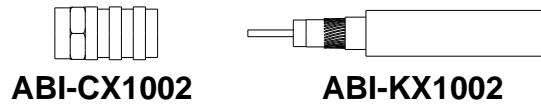
1 Package Contents



2 Tools Required

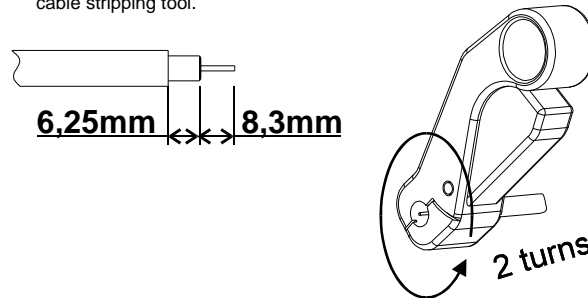


3 Compatible abitana products

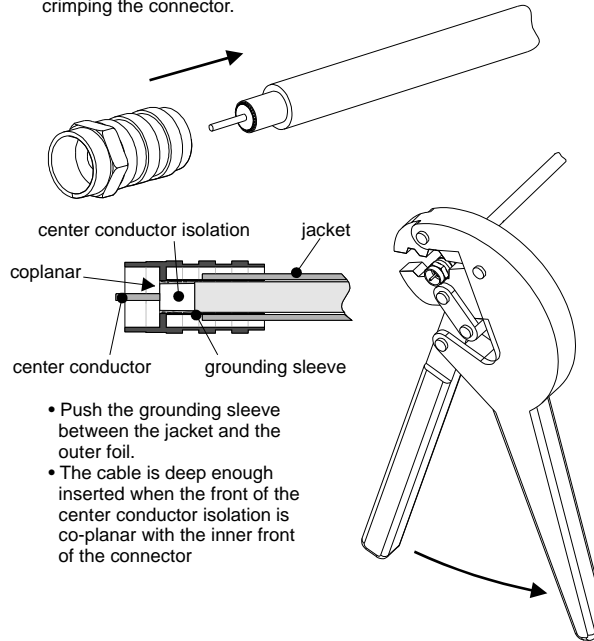


4 Termination Steps

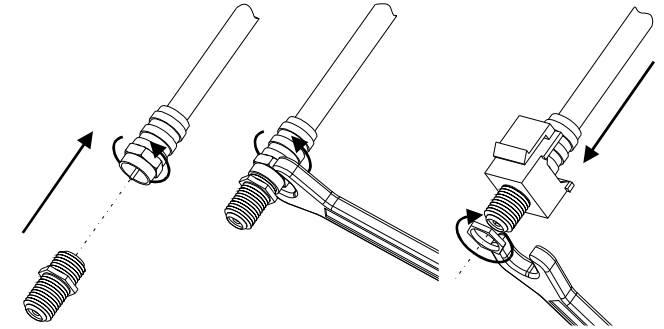
1. Trim off outer jacket, and strip center conductor as shown with cable stripping tool.



2. Push the connector on the cable. Check the different items before crimping the connector.



3. Fix the F-female adaptor firmly with its short side in the connector. Then slide the connector assembly in the plastic holder and fix it firmly with the supplied nut.



4. Click the terminated connector in the DIN-Rail-Adaptor and fix the cable with the clips and a tie-wrap

