

# ABI-EA1002S00

## Audio Hub for B&O ® Powerlink

### Quick Start Guide

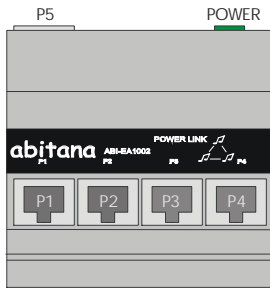
#### 1 Package Contents

- Audio Hub
- Quick Start Guide

#### 2 Introduction

With the audio Hub it is possible to interconnect 5 B&O ® appliances that are equipped with the Powerlink interface. It is possible to connect two ABI-EA1002S00 modules together. This increases the maximum number of appliances to 8.

#### 3 Connectors



#### 4 Installation

**Power Off the central ABI-PS1001S00 Power Supply by means of the Circuit Breaker installed in the 'Comm Center Cabinet'**

1. Open the 'Comm Center Cabinet' and fix the unit on the DIN-Rail (See Figure 1).
2. Connect one of the unused POWER connectors of the **ABI-PS1001S00** Quadruple Power Supply (5VDC - 4A).
3. If you have the Comm Center Connector RJ45 port feed-through (ABI-DC1006S00): Connect the RJ45 plug to P5 of the module.  
The 5<sup>th</sup> port can also be used to interconnect two ABI-EA1002S00 modules. In this case, the number of ports is increased to 8.
4. Close the 'Comm Center Cabinet'.
5. Locate the Outlets near your B&O ® Equipments you want to connect.
6. Insert the RJ45 connectors of the ABI-PC1022S01 cables in those outlets.
7. Insert the 8-pole DIN connectors of those cables into the corresponding Powerlink sockets of the B&O ® equipments
8. In the 'Comm Center Cabinet', locate the Comm Center Connectors that correspond to the outlets where you just inserted the adapters. Insert one end of a 'Comm Center' Patch cord of a suitable length into each one of these connector.
9. Insert the other end of the Patch cords in one of the numbered ports (P1–P4) on the front of the audio Hub. If you have the Comm Center Connector RJ45 port feed-through (ABI-DC1006S00) you can connect to P5 by inserting one of the patch cords into the ABI-DC1006S00

10. Turn on the Power Supply
11. For the configuration of the Powerlink devices, please consult your B&O ® equipment manual.

Attention : When you power down the power supply, all equipments connected to that power supply will be powered down (CATV Amplifier, Switch, Gateway, ...)

Additional, and more detailed information concerning this product can be found on the website : [www.abitana.com](http://www.abitana.com).

Use the following table to write down information about the Switch and the connections.

|               |           |
|---------------|-----------|
| Serial #      | _____     |
| Connection to |           |
| P1            | [ _____ ] |
| P2            | [ _____ ] |
| P3            | [ _____ ] |
| P4            | [ _____ ] |
| P5            | [ _____ ] |

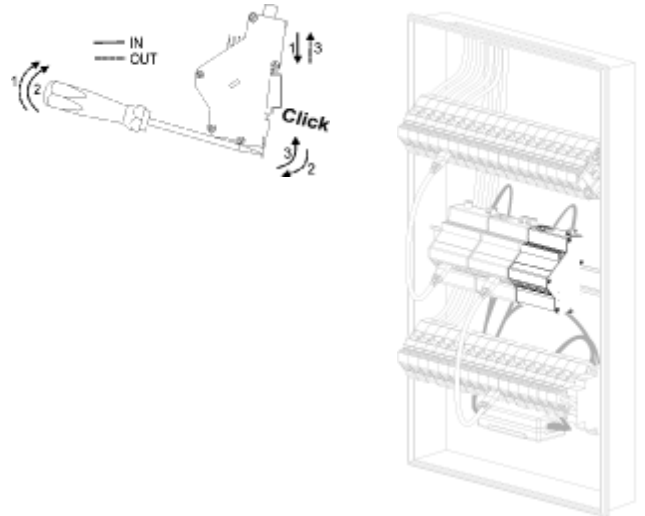


Figure 1: Installation on DIN-Rail

B&O ® is a registered trademark of Bang and Olufson

**ARCHIVED**

look for alternatives on  
[www.abitanadirect.com](http://www.abitanadirect.com)  
 or contact [info@abitana.com](mailto:info@abitana.com)