

ABI-EA1003S00

Audio Hub – dual stereo line level links – IR remote control passthrough Quick Start Guide

ARCHIVED

look for alternatives on www.abitanadirect.com or contact info@abitana.com

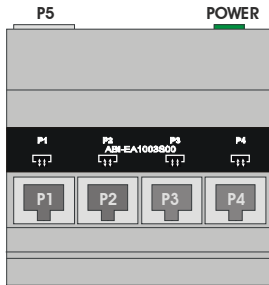
1 Package Contents

- Audio Hub
- Quick Start Guide

2 Introduction

The audio Hub makes the distribution of 2 stereo signals, coming from 2 different sources, possible to 5 locations. At the same time, the IR signal is distributed to those 5 locations also. The IR signal is also optically available on either side of the unit and can be used in combination with the A/V modulator ABI-EV1017S00.

3 Connectors



4 Power

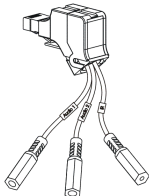
Load ratio for this module = 0,1.

Maximum allowed load ratio (sum of the load ratios for all modules) for power supply ABI-PS1001S00 = 4.

5 Installation

Power Off the central ABI-PS1001S00 Power Supply by means of the Circuit Breaker installed in the 'Comm Center Cabinet'

1. Open the 'Comm Center Cabinet' and fix the unit on the DIN-Rail (See Figure 1).
Place the unit adjacent the modulator in case the connected IR receivers must be able to control the video sources connected to the modulator.
2. In case the IR functionality is required, you must connect one of the unused POWER connectors of the ABI-PS1001S00 Quadruple Power Supply (5VDC - 4A) to the POWER connector.
3. If you have the Comm Center Connector RJ45 port feed-through (ABI-DC1006S00): Connect the RJ45 plug to P5 of the module.
The 5th port can also be used to interconnect two ABI-EA1003S00 modules. In this case, the number of ports is increased to 8.
4. Close the 'Comm Center Cabinet'.
5. Locate the outlets near your audio equipments you want to connect.
6. Insert the ABI-AC1009S00 adapters in those outlets.



7. Insert a suitable connection cable between the ABI-AC1009S00 and the audio equipment. (i.e. 3.5mm phone plug to cinch for many of the standard audio appliances or a 3.5mm phone plug to 3.5mm phone plug for the connection to a PC audio card).

Keep in mind that on each bus (Audio1 and Audio2) there can only be one 'source' (i.e. PC line output or a CD player).

Please consult the application notes section for connection details.

8. Connect the IR receiver(s)/transmitter(s) to the IR connector(s).
9. In the 'Comm Center Cabinet', locate the Comm Center Connectors that correspond to the outlets where you just inserted the adapters. Insert one end of a 'Comm Center Patch cord' of a suitable length into each one of these connectors.
10. Insert the other end of the Patch cords in one of the numbered ports (P1–P4) on the front of the audio Hub. If you have the Comm Center Connector RJ45 port feed-through (ABI-DC1006S00) you can connect to P5 by inserting one of the patch cords into the ABI-DC1006S00
11. Turn on the Power Supply

Attention: When you power down the power supply, all equipments connected to that power supply will be powered down (CATV Amplifier, Switch, Gateway,...)

Additional, and more detailed information concerning this product can be found on the website: www.abitana.com.

Use the following table to write down information about the Switch and the connections.

Serial #	_____	
Connection to		
P1 Audio1 [_____]	Audio2 [_____]	IR Rx .. Tx ..
P2 Audio1 [_____]	Audio2 [_____]	IR Rx .. Tx ..
P3 Audio1 [_____]	Audio2 [_____]	IR Rx .. Tx ..
P4 Audio1 [_____]	Audio2 [_____]	IR Rx .. Tx ..
P5 Audio1 [_____]	Audio2 [_____]	IR Rx .. Tx ..

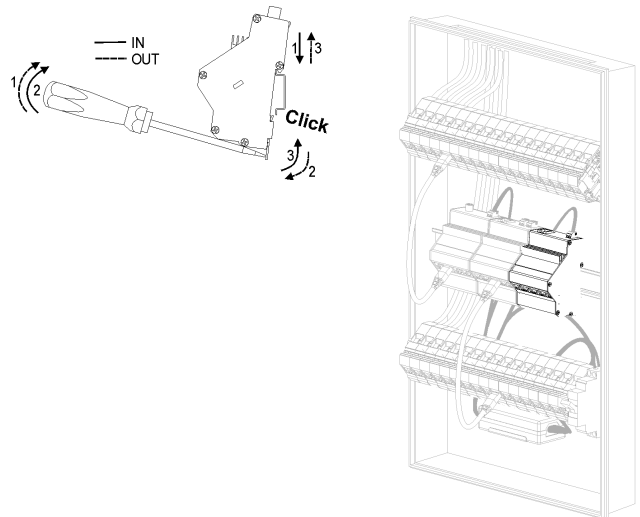


Figure 1: Installation on DIN-Rail