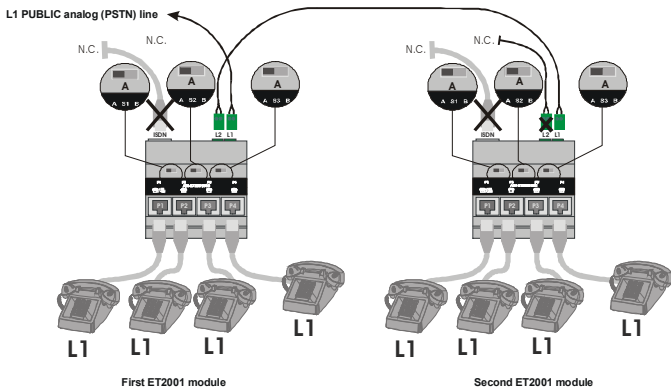


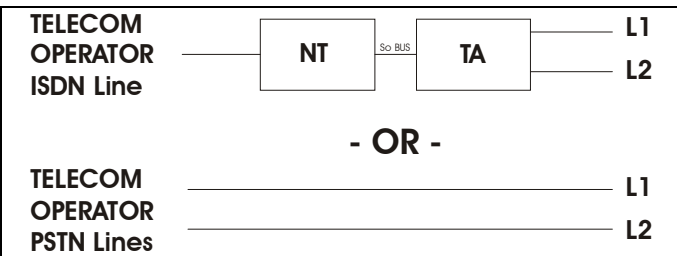
Remark: There should be no connections to the ISDN (RJ45).

In this configuration, it is possible to extend the number of phones connected to the phone line by connecting L2 of the first ET2001 to L1 of the second one.



5.2 Two analog (PSTN) phone lines

This configuration is used when you have two incoming telephone lines (standard PSTN). These lines can either come directly from your operator, or from an ISDN to 2 PSTN lines (TA) adapter.



Line 2 connects to one port (P1), and Line 1 connects to the other three ports in parallel (P2, P3, P4)

When a call arrives on line L1, all phones on P2 ~P4 will ring at the same time. You can pick-up any of the three phones connected to that line to answer the call.

If during a call a second phone is unhooked, this phone will join the ongoing conversation.

No internal calls between the locations are possible (NO PABX function).

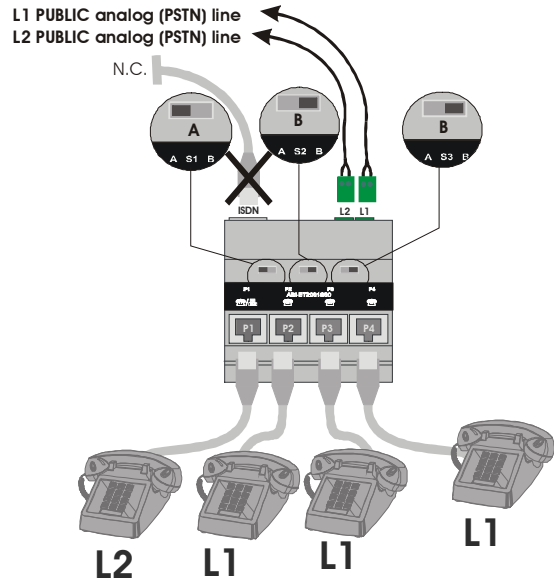
You can make a phone call from a phone connected to line 1 to a

phone connected to line 2, but this is not a free call, as the call is processed by your phone company

In this configuration, L2 is usually used for a FAX or a MODEM.

Switch Nr.	Position
S1	A
S2	B
S3	B

For this configuration, the switches must be in the positions indicated in the preceding table.



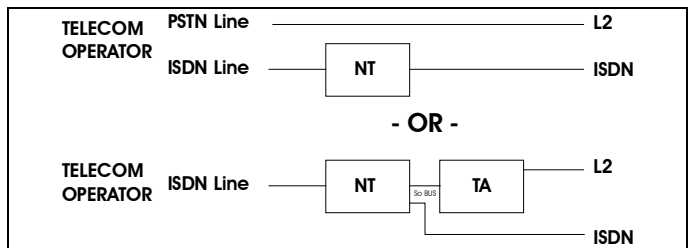
5.3 ISDN

5.3.1 3 ISDN Phones and one PSTN line

This setting provides connections for 3 digital (ISDN) phones, and one standard (PSTN) phone.

This configuration might be as follows :

- One ISDN line, and one PSTN line, supplied by your Phone company
- One ISDN line, supplied by your Phone company, an one PSTN line, coming from a TA, connected to your ISDN line.



6 Your configuration

Port Nr	Connected to
1	c ISDN c L1 c L2 Tel # :
2	c ISDN c L1 c L2 Tel # :
3	c ISDN c L1 c L2 Tel # :
4	c ISDN c L1 c L2 Tel # :
ISDN (Top)	c ISDN c L1 c L2 c No Connection. Tel # :
L1 (Top)	c No Connection Tel # :
L2 (Top)	c No Connection Tel # : c Conneced to a second ET2001

Position of the switches

A S1 B	A S2 B	A S3 B
c c	c c	c c