

ABI-EV1002S00 Twisted Pair Broadband Distribution Amplifier Quick Start Guide

1 Package Contents

- DIN rail mountable Broadband Amplifier module
- Quick Start Guide
- 3 Termination plugs ABI-AP1003S00
- Power jumper cord ABI-PS1001SPC

2 Tools

- Level tester ABI-TT1003S12
- Spanner 11mm
- Flat screw driver max. 5mm x 0.6mm

3 Introduction

The ABI-EV1002S00 is a Broadband Amplifier with one coaxial input for CATV signal or antenna.

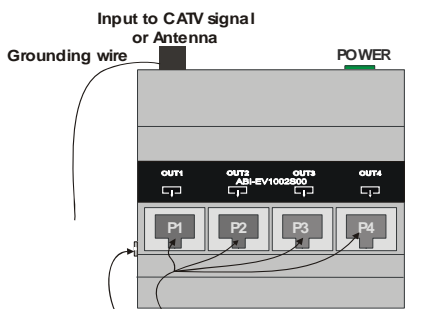
The unit has 4 independent RJ45 (Twisted Pair) outputs on the front.

For ease of installation, a Power Level indicator is provided, indicating the safe area of operation for optimal transmission and quality results.

A range of Twisted Pair to Coax adapters (with or without adjustment, filters,...) is available for installation at the receiver end (i.e. ABI-AC1001S00*).

It is possible to connect a Radio by using a Radio adapter (ABI-AC1004S00) or an adaptor without filter.

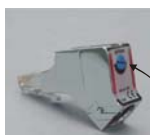
4 Connectors



Outputs to 4 independent TV Sets

Power Adjustment

ABI-EV1002S00



Power level adjustment (ABI-AC1001S00)

5 Power

Load ratio for this module = 0,5.

Maximum allowed load ratio (sum of the load ratios for all modules) for power supply ABI-PS1001S11 = 4.

6 Installation

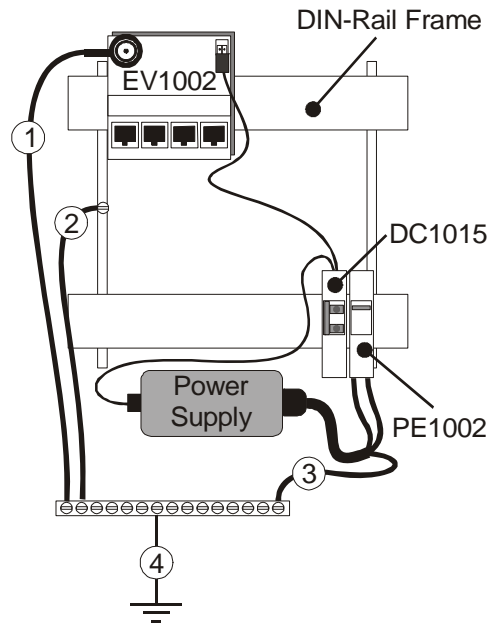


Power Off the central **ABI-PS1001S11** Power Supply by means of the Circuit Breaker installed in the 'Comm Center Cabinet', or by removing the mains power cord from the Power Supply.

1. Make sure the shielding of the Network Interface Unit (NIU) or CATV transition point is properly connected to the protective ground.
2. Open the 'Comm Center Cabinet'
3. Click the ABI-EV1002S00 unit on the metal DIN-rail.
4. The ABI-EV1002S00 is supplied with a grounding wire, connected to the input F-connector.

This wire (1) must be connected to the protective ground of the installation.

The following system devices also need to be connected to the protective ground: The DIN-Rail frame (2) and the Power supply (3)



5. Provide power to the module using the included power jumper cord ABI-PS1001SPC. Please consult the manual of the power supply for more information concerning the installation of the power supply.

6. Connect a coax cable from the CATV connection point (NIU) or the CATV transition point to the coax connector on the top of the unit.



Failing to follow the instructions (1) to (6) in the specified order may lead to permanent damage of the ABI-EV1002S00 amplifier

When it is impossible to connect the DIN rails ,frame or CATV transition point to ground, make sure they are at least at the same electrical level (connected to each other).

7. Turn on the power
8. On the side of the Amplifier, a (blue) power adjustment screw is available. Set it to the maximum position by (gently) rotating the screw clockwise until it blocks.
9. Remove all termination plugs and patch cords of the amplifier ABI-EV1002S00.
10. Insert the level tester ABI-TT1003S12 into port 1.
11. Please follow the instructions of the ABI-TT1003S12 to adjust the power of the amplifier correctly.
12. Remove the power level tester and eventually reinsert the previously removed termination plugs and patch cords.
13. Close the 'Comm Center Cabinet'.
14. Locate the Outlet near your TV-set you want to connect
15. Take a TV/Video Balun (ABI-AC100XS00*), and set the level to maximum by means of the power level adjustment screw located on the balun (Turn the screw gently clockwise until it blocks). Then insert the Balun into the free Outlet.
16. Insert one end of a coax patch cord (ABI-PC1006Sxx) into the Balun (ABI-AC100XS00*)
17. Insert the other end of the Coax patch cord into the TV-set or VCR
18. In the 'Comm Center Cabinet', locate the Comm Center Connector that corresponds to the outlet where you just inserted the Patch cord and insert one end of a 'Comm Center' Patch cord of a suitable length into this connector.
19. Insert the other end of the Patch cord in one of the numbered ports (P1-P4) on the front of the Amplifier.
20. Check the signal quality on the TV set; and adjust the level by means of the level adjustment screw on the Balun if necessary. Normally this is only required for short links between the Comm center Cabinet and the outlet.

* ABI-AC1001S00, ABI-AC1002S00 or ABI-AC1007S00

IMPORTANT REMARK:

Insert a Termination Plug (ABI-AP1003S00) in every unused port of the amplifier.

If all four ports are connected to outlets, but not all outlets have a device (TV/VCR/...) connected to it, it is strongly recommended to insert a Termination Plug (ABI-AP1003S00) into the latter (unused) outlets.

It is possible to use the ABI-AC100XS00 Balun as a Termination plug, by adjusting the Power Level Screw to its minimum (Turn the Adjustment screw gently counter-clockwise until it blocks), and insert the ABI-AC1001S00 into the unused ports or outlets.

Additional, and more detailed information concerning this product can be found on the website: www.abitana.com.

Use the following table to write down information about the amplifier and the connections.

Amplifier Serial #	_____
Connection to	
Coax	Antenna <input type="checkbox"/> Cable TV <input type="checkbox"/>
P1	[_____]
P2	[_____]
P3	[_____]
P4	[_____]

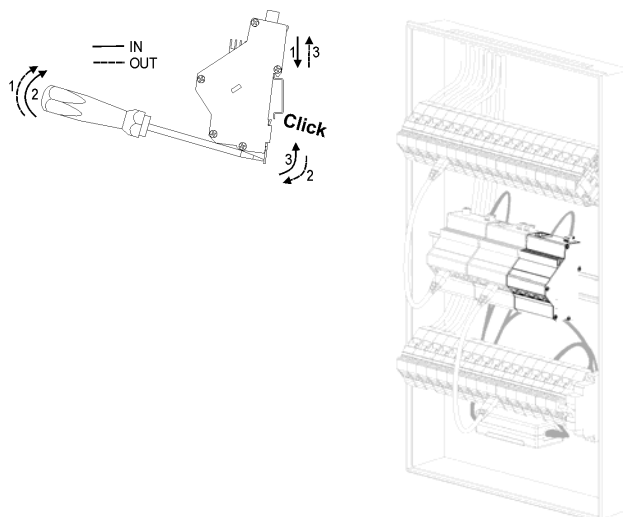


Figure 1: Installation on DIN-rail

Recommendation regarding overvoltage protection

It is recommended to add an overvoltage protection to the incoming signals. This protects the system against overvoltages caused by power surges, lightning, etc.

A different type of protector is required for every type of signal (Antenna/Cable TV (5) , Telephone (6) , Mains Power (7))

