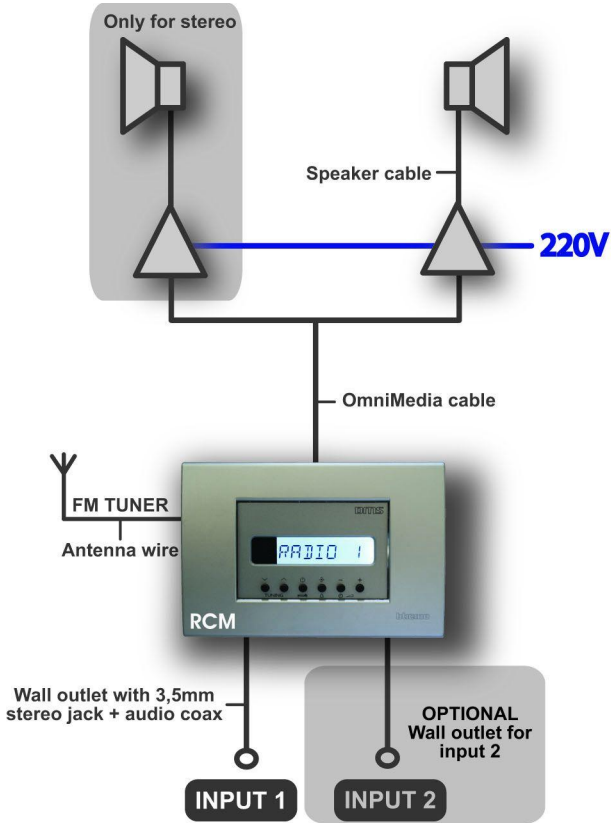


6 Configurations

6.1 Standalone use – Mono or stereo

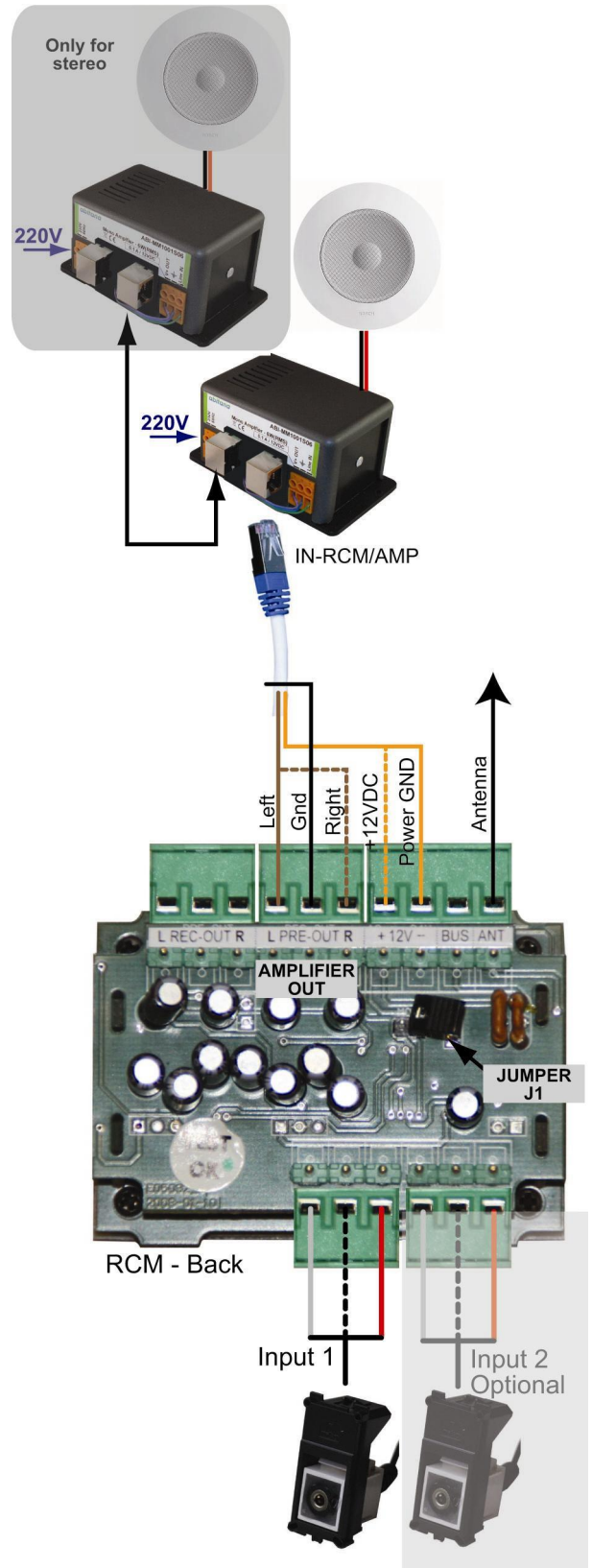
6.1.1 General schematic



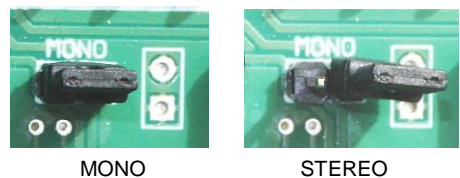
6.1.2 Listening possibilities

- Built-in FM tuner
- Dependent on the chosen configuration, you can listen to 1 or 2 local audio sources like a MP3 player, PC, iPod,...

6.1.3 Cabling schematic

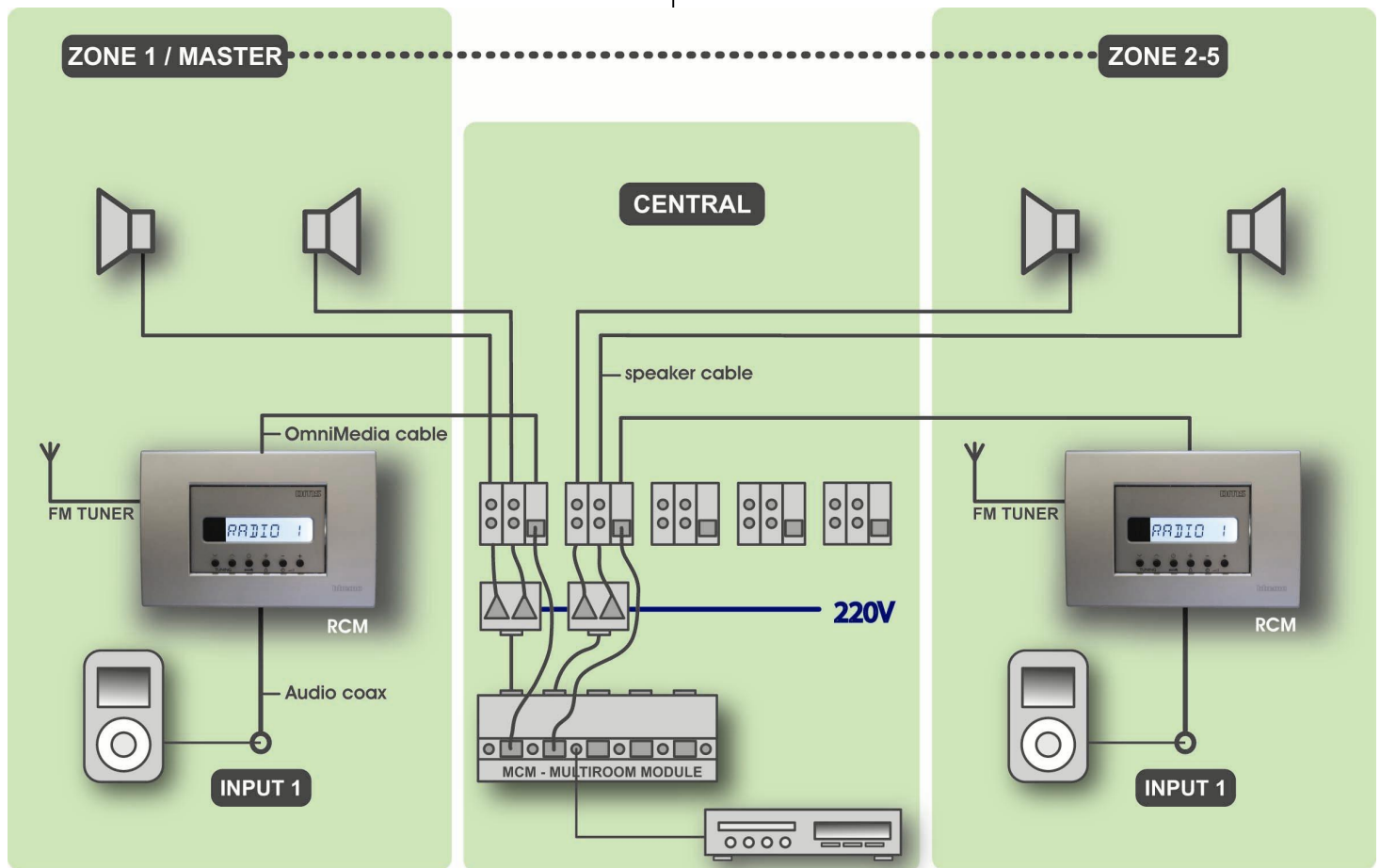


For mono Jumper J1 must bridge the two posts as shown below.



6.2 Multiroom configuration

6.2.1 General schematic



6.2.2 Listening possibilities

In each zone you have the possibility to:

- listen to the built-in FM tuner of the RCM
- listen to the local audio source connected to input 1

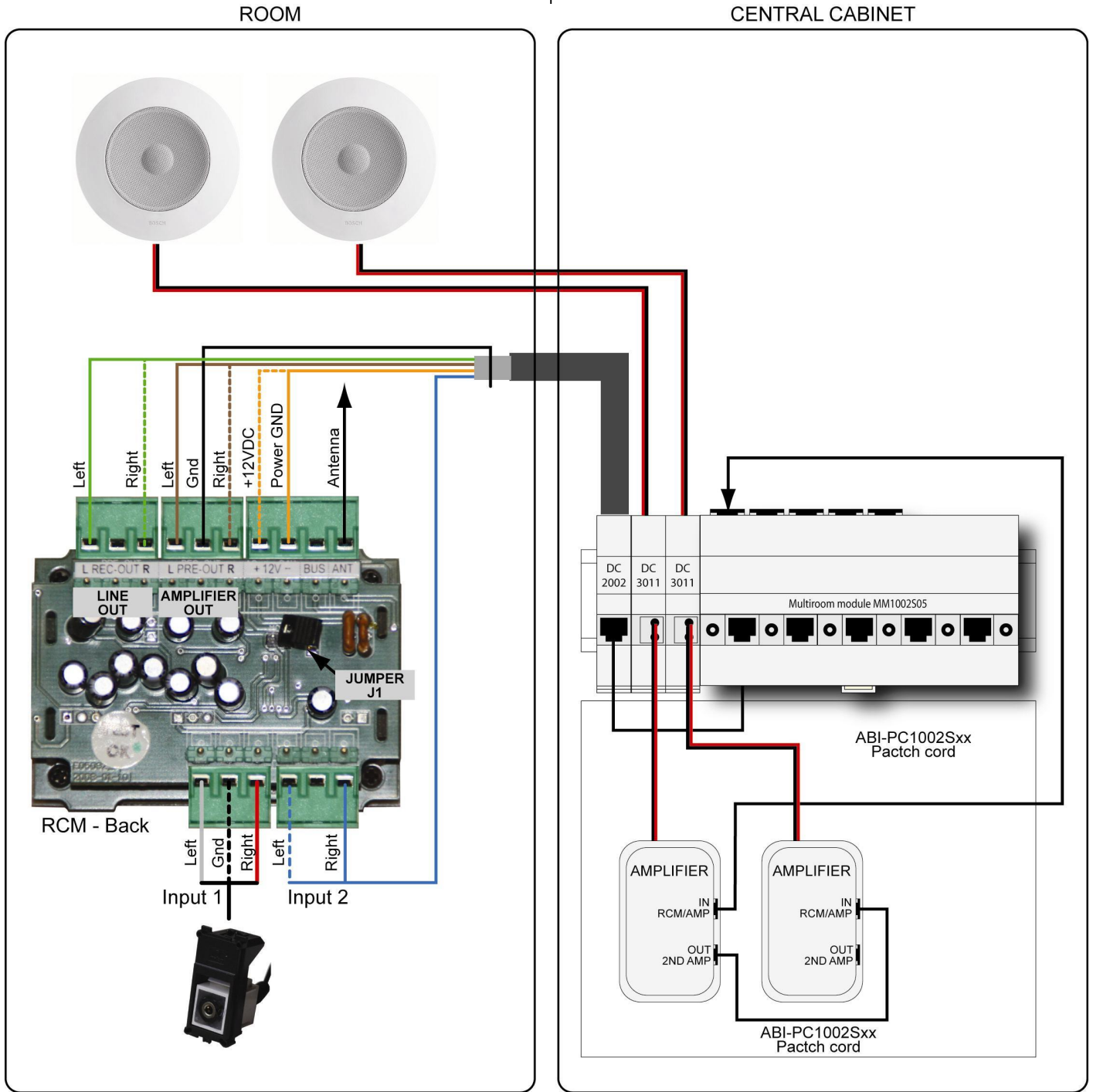
Which music you listen to via input 2 of the RCM of a zone depends on the configuration of the multiroom module.

You have the following options:

- Standard master configuration: Via input 2 you listen to the same music that is playing in the master zone. If the RCM of the master zone is not switched on, input 2 of the standard zone is silent.
- Master overrule configuration: you listen to a centrally connected audio source that is available as input 2 in each zone.
- Input 2 overrule configuration: You listen to a centrally connected audio dedicated to that specific zone.

More detailed info about the possible configurations can be found in the manual of the multiroom module ABI-MM1002S05

6.2.3 Cabling schematic



For mono Jumper J1 must bridge the two posts as shown below.



MONO



STEREO